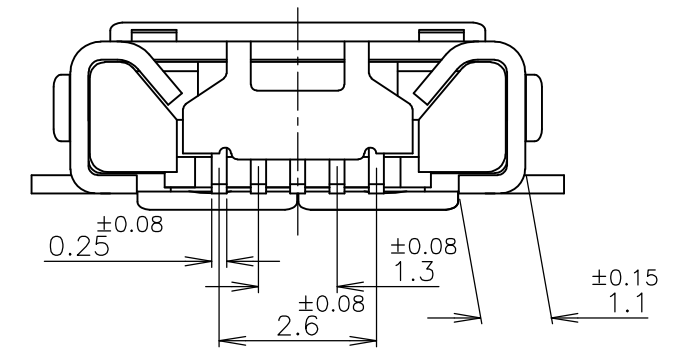
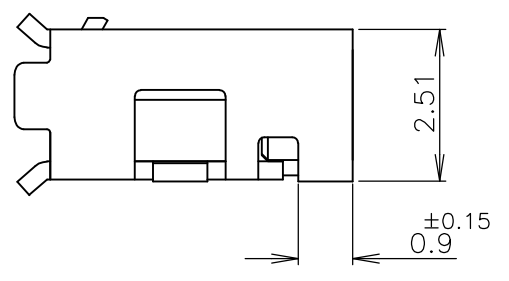
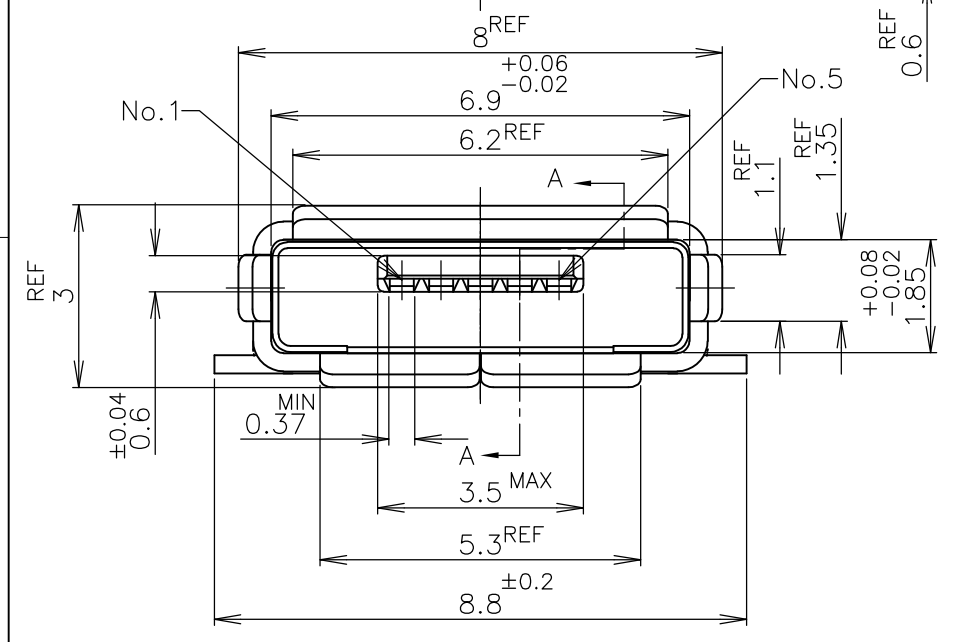
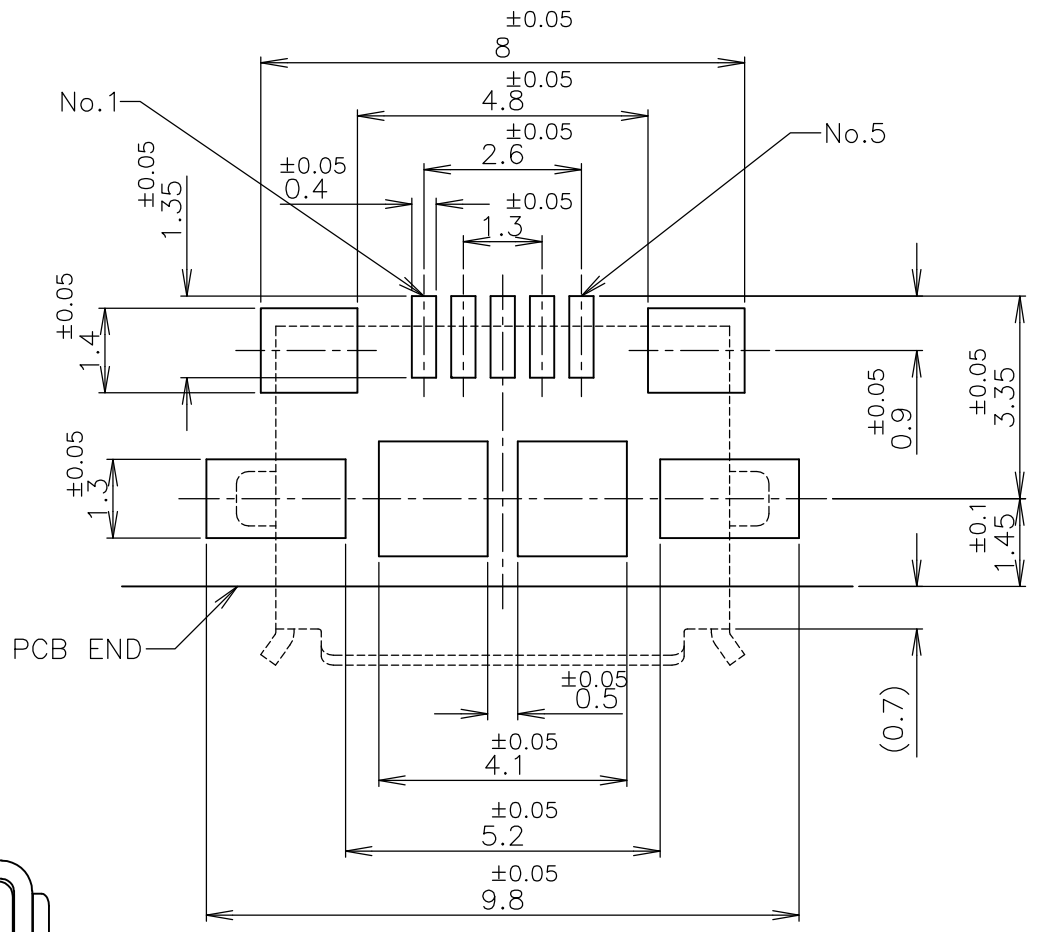
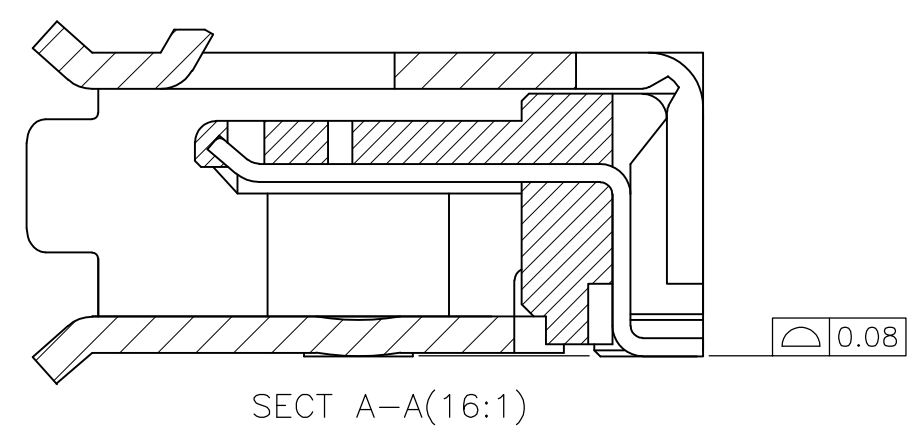
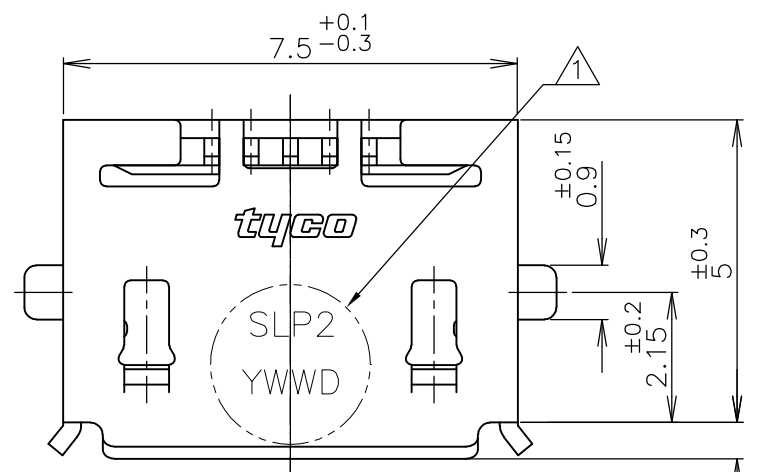


THIS DRAWING IS UNPUBLISHED. RELEASED FOR PUBLICATION JAN , 2007.  
 © COPYRIGHT 2007 BY TYCO ELECTRONICS CORPORATION. ALL RIGHTS RESERVED.

LOC	DIST	REVISIONS					
J	/	P	LTR	DESCRIPTION	DATE	DWN	APVD
		B		REVISED ECR-07-029091	04DEC07	J.T	T.K



PCB LAYOUT(REFERENCE)  
(VIEWED FROM CONNECTOR MOUNT SIDE)

- △ DATE CODE AND VERSION MARKING
- 2. OVERALL TOLERANCE: ±0.2
- 3. MATERIAL HOUSING : THERMOPLASTIC RESIN UL94V-0  
CONTACT : COPPER ALLOY  
SHELL : STAINLESS STEEL
- 4. FINISH CONTACT : Ni UNDER PL  
Au PL AT  
SHELL : Ni UNDER PL  
Sn PL

THIS DRAWING IS A CONTROLLED DOCUMENT.		DWN J.TSUJI 06AUG2007	Tyco Electronics Tyco Electronics AMP K.K. Kawasaki, Japan	
DIMENSIONS: 単位: 耗 MM		CHK T.KUSUHARA 07AUG2007	NAME 名称 MICRO USB RECEPTACLE STANDARD TYPE AB ASSY	
TOLERANCES UNLESS OTHERWISE SPECIFIED: 一般公差		APVD T.KUSUHARA 07AUG2007	PRODUCT SPEC 製品規格	
0 PLC ± - 1 PLC ± - 2 PLC ± - 3 PLC ± - 4 PLC ± - ANGLES ± 10		APPLICATION SPEC 取付適用規格	SIZE A3	
1981584-1	MATERIAL 材料	WEIGHT	CAGE CODE 00779	DRAWING NO 番号 G-1981584
PART NUMBER	FINISH 仕上	CUSTOMER DRAWING		RESTRICTED TO -
		SCALE 尺度 8:1	SHEET 1 OF 2	REV B

4

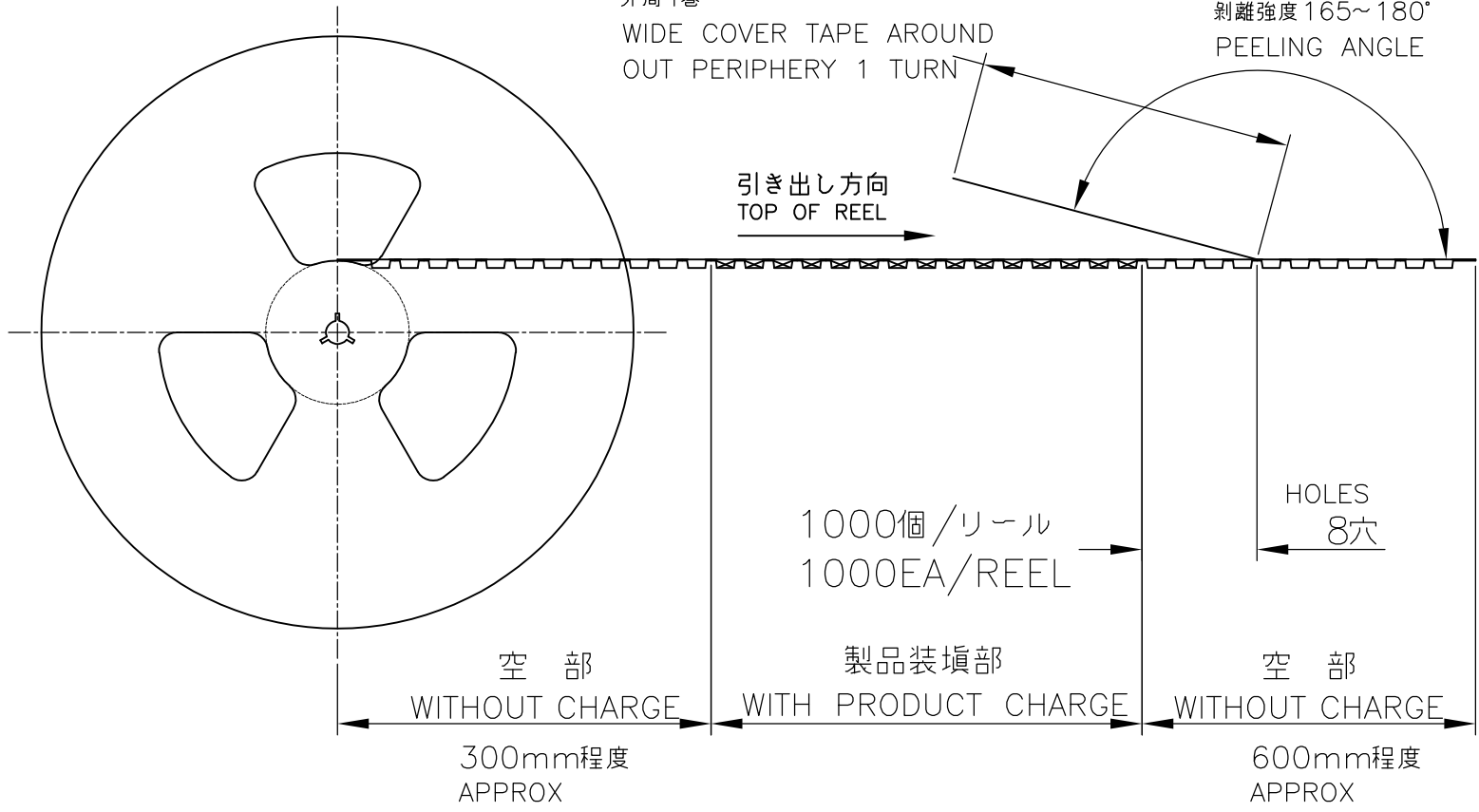
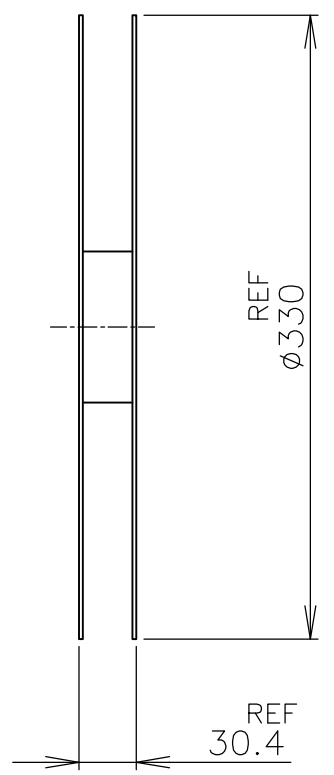
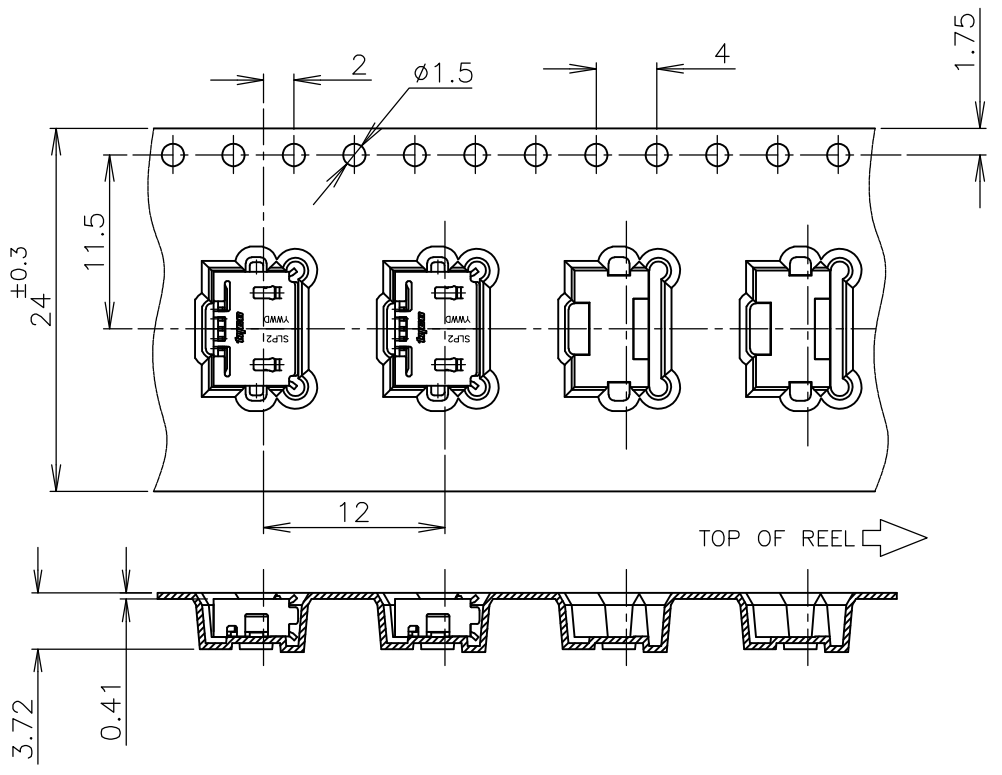
3

2

1

THIS DRAWING IS UNPUBLISHED. RELEASED FOR PUBLICATION JAN , 2007.  
 © COPYRIGHT 2007 BY TYCO ELECTRONICS CORPORATION. ALL RIGHTS RESERVED.

LOC	DIST	REVISIONS					
J	/	P	LTR	DESCRIPTION	DATE	DWN	APVD
			-	SEE SHEET 1	-	-	-



THIS DRAWING IS A CONTROLLED DOCUMENT.		DWN	Tyco Electronics			Tyco Electronics AMP K.K.	
DIMENSIONS: 単位: 耗 MM		CHK	NAME 名称			MICRO USB RECEPTACLE STANDARD TYPE AB ASSY	
TOLERANCES UNLESS OTHERWISE SPECIFIED: 一般公差		APVD	PRODUCT SPEC 製品規格			Kawasaki.Japan	
0 PLC ±-		APPLICATION SPEC 取付適用規格		SIZE	CAGE CODE	DRAWING NO 番号	RESTRICTED TO
1 PLC ±-		WEIGHT		A3	00779	G-1981584	-
2 PLC ±-		CUSTOMER DRAWING		SCALE 尺度 2:1		SHEET 2 OF 2	REV B
3 PLC ±-							
4 PLC ±-							
ANGLES ±-							
MATERIAL 材料							
FINISH 仕上							